



# GOLDEN

## Reciprocating Positive Displacement Pumps





## CONTENTS

■ Message from CEO	01
■ Profile	02
■ ISO Certification	03
■ GOLDEN Reciprocating Positive Displacement Pumps (Piston Pumps)	04
■ Performance Curves with Performance Chart	05
■ Component Detail with Cross Sectional View - GPPI	06
■ Component Detail with Cross Sectional View - GPP2	07
■ Dimensional View & Detail - GPP1 & GPP2	08
■ Subsidiary Companies	09



## Message from CEO:

At GOLDEN PUMPS, we believe that we are ideally placed to cater for your pumping needs whether it is a simple mono pump for your residential usage or specialized 'mid-range' projects such as filling stations or sewage, or 'large-scale' applications in the commercial, agricultural, industrial and public sectors.

With more than 6 decades experience the pump manufacturing industry, GOLDEN PUMPS' engineers are confident that they have both the breadth of knowledge and depth of experience to offer professional services from basic concepts all the way to management of Turn-Key projects & beyond.

We continue to employ highly motivated and capable individuals dedicated to provide solutions that maximize value for our customers. Our people strive to help customers to address their specified needs in a cost effective manner.

The quality of our products, we believe, is the key for the continuous increase in our clientele and thus contributed to the phenomenal growth of our company.

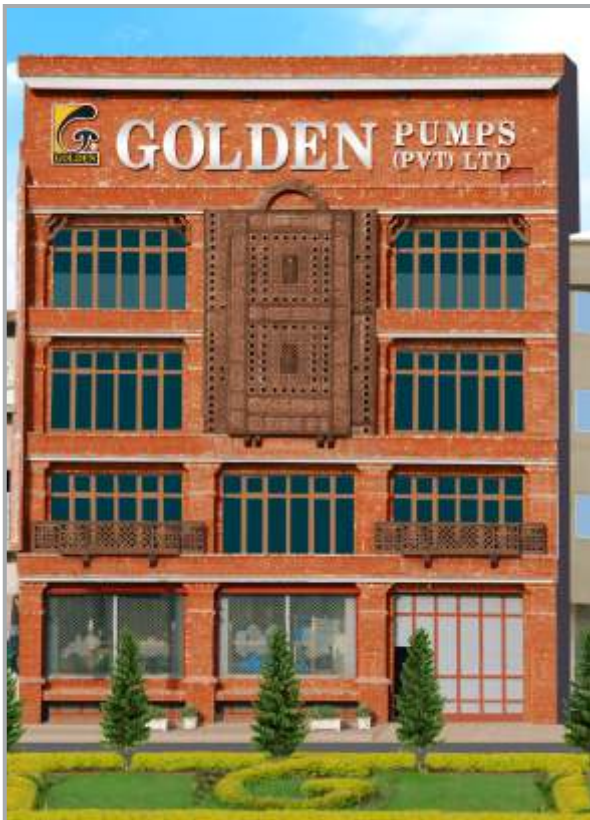
Today's customer demands products that are the latest in technology along with the highest degree of reliability and their durability. That's what you get with GOLDEN PUMPS' cutting-edge product design utilizing the modern technology, rock solid performance and a lifetime convenience.

And when we say " *For Life* ", we mean it.



## Profile

GOLDEN PUMPS (PVT) LTD. was established by Haji Ghulam Rasool Mughal (Late) in 1950. Since its inception, the company set the goal of supplying durable and reliable pumping systems to its customers



and today no other company, in Pakistan, can compete with GOLDEN PUMPS in its product range and products' performance. This is the result of years of research and sheer hard work of a team with well-experienced, talented engineers and highly skilled and dedicated workers who are always busy not only in maintaining the high standard in production, but also, in search of the best possibilities to enhance the quality. The company firmly believes in serving its customers by giving more than the true value for their money and is determined not to compromise on quality at any cost.

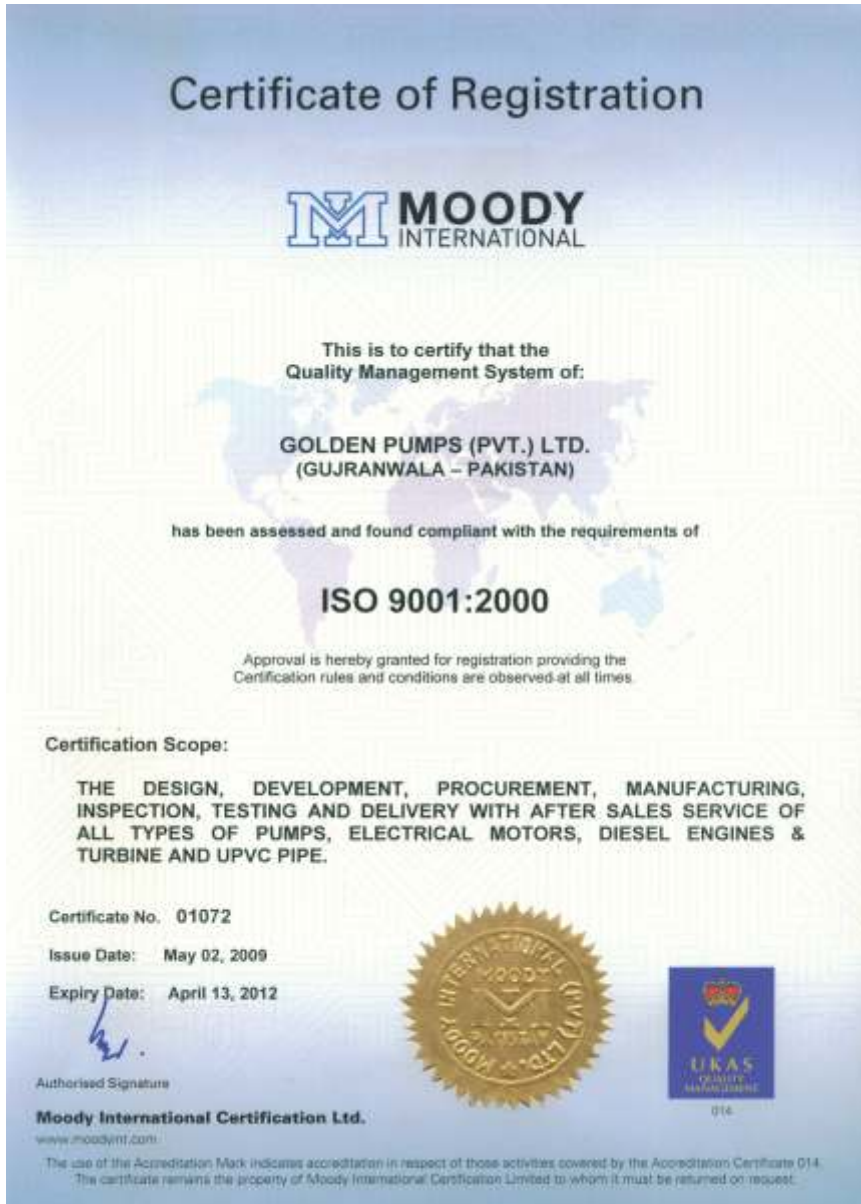
In its four factories (with a covered area of 200,000 sq. ft. approx.) in Gujranwala, the company is committed to produce "top of the range" products including Centrifugal Pumps, Mono-Block Pumps, Non-Clogging (Vertical & Horizontal) Pumps, Multistage Pumps, Reciprocating Positive Displacement Pumps (Piston Pumps), Deep-Well Ejector Pumps (GOLDAMATIC Pumps), Vertical Deep-Well Turbine Pumps, Electric Motors and Diesel Combustion Engines for Industrial, Agricultural and Domestic usages.

Company takes due pride in being the market leader, in our wide product range, setting the industry standards in pump technology. Today GOLDEN PUMPS has become the symbol for quality and reliability in the field of pumping solutions. For over 60 successful years, GOLDEN PUMPS has achieved its success through sheer hard work, consistent quality, research and innovation.

Relishing on its past achievements and its dynamic approach, the company has ventured into the field of 'Enameled Copper Wire' in 1998 with the establishment of "ELECTROTEC INDUSTRIES".

With the help of Chinese Experts "GOLDEN Diesel Engines" (Combustion Engines) were introduced into the product line of the company in 1998. The GOLDEN Diesel Engine is a single cylinder four-stroke, powerful yet compact horizontal type water-cooled diesel engine ideal for commercial and agricultural usage. GOLDEN Diesel engines are available in a wide range of horse-powers capacity.

GOLDEN has also ventured into the production of 'uPVC Pipes' (un-plasticized Polyvinyl Chloride) in 2003 with the brand names of "GOLDAMATIC & MONO-GOLD uPVC Pipes" having a production range from 1" to 14" in Sewage Pipes, Pressure Pipes and Non-Pressure Pipes in Class A, B, C, D & E and Conduit Pipes.



## ISO Certification

Company has been awarded the ISO-9000:2000 'QUALITY MANAGEMENT CERTIFICATE'. Besides, it's the leading Pakistani company among pumps, electric motors, diesel engines and upvc pipes manufacturing companies to achieve "ISO-9001:2000 accreditation for designing, development, procurement, manufacturing, inspection, testing and delivery with after-sales service for all types of Pumps, Electric Motors, Deep-Well Turbines, Diesel Engines and uPVC Pipes.

Company would like to thank its valued customers, dealers and suppliers for their continuous support and feedback in all spheres of activities. Company is further improving efficiency to achieve excellence in its cordial customer relationship and ensure moral integrity in its dealings.

## **GOLDEN Reciprocating Positive Displacement Pumps (Piston Pumps)**



**GPP1**



**GPP2 / GPP2-HH**

GPP is a series of Reciprocating Pumps with positive displacement and double action. Because of minimum losses, where pressure is the prime objective, these pumps are used. Since, they have high-performance and low maintenance, these pumps are used where ever water is to be pumped economically, easily and without any problem. It is a self-priming, smooth running pump offering a longer operational life.

These pumps can be used on wells, boreholes, under-ground water stocks and water supplies. They have Cast Iron Body, Stainless Steel Piston Rod, super finished S. G. Iron Crank Shaft, Brass/S.S. Cylinder and abrasion proof silently working Valves fitted on easily accessible Valve Plate. The Rocker Rail for Electric Motor has Insulation Bushes to avoid the flow of current from a 'short-circuit' motor to the pump & pipe lines (in GPP1 only). These pumps have built-in Safety Valves for user's safety.

These are self-lubricated pumps. The Crank Shaft runs in the oil and splashes the lubricant by centrifugal force on the Lubrication Chamber Walls. This oil is then distributed by gravity to the Guadgen Pin & Crank Shaft. A Dipstick is provided to check the oil level.

These pumps are suitable for homes, hotels, flats, small farm houses, car washing, construction sites, industrial and commercial buildings etc.

These are available as 'stand alone' pumps for manual operation or can be converted into an Automatic Pressure System by combining with 'Aqua Tank GAT-25' and Pressure Regulating Switch to get on-line fresh water.

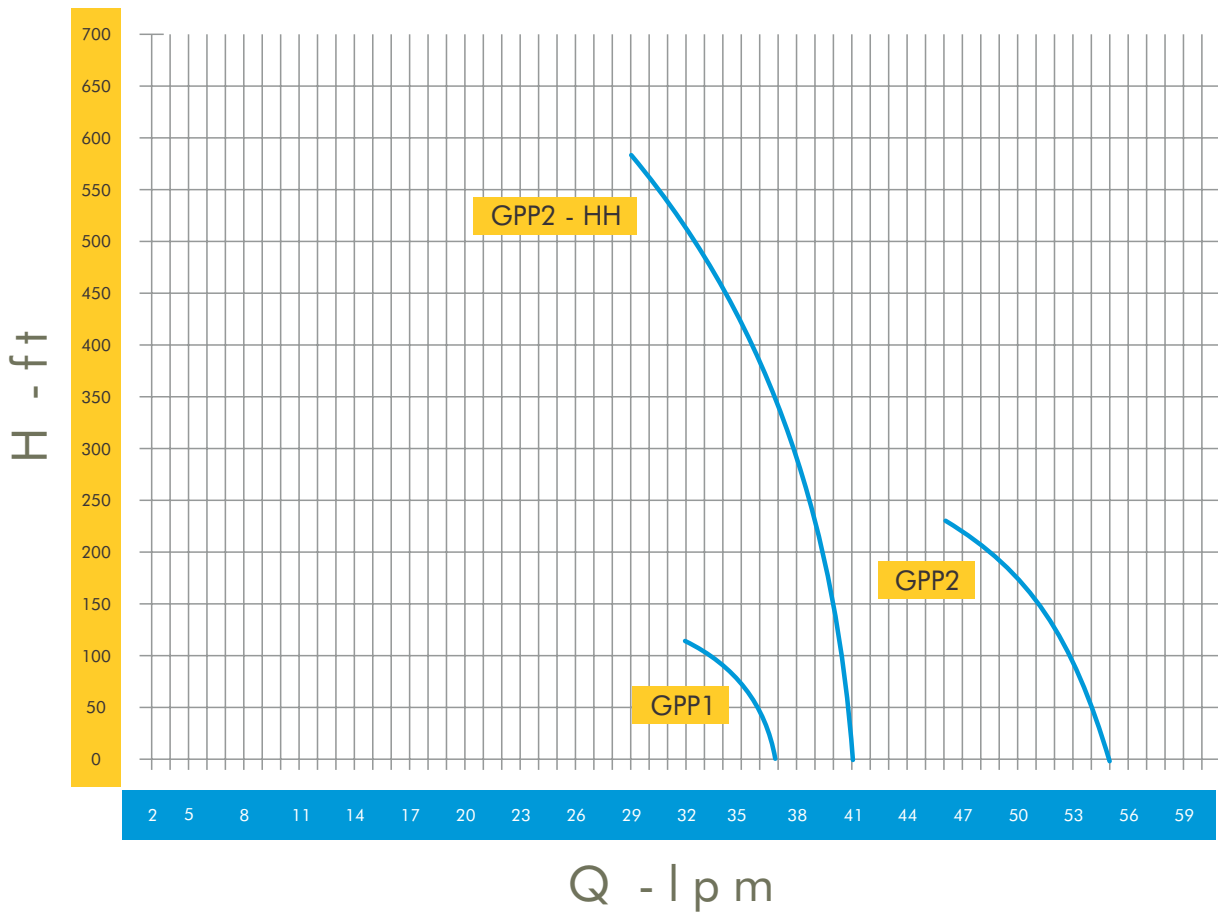


## Performance Curves

GPP1 (1" x 1") / 0.5 HP (1450 rpm)

GPP2 (1.25" x 1.25") / 2 HP (1450 rpm)

GPP2 - HH (1.25" x 1.25") / 3 HP (1450 rpm)

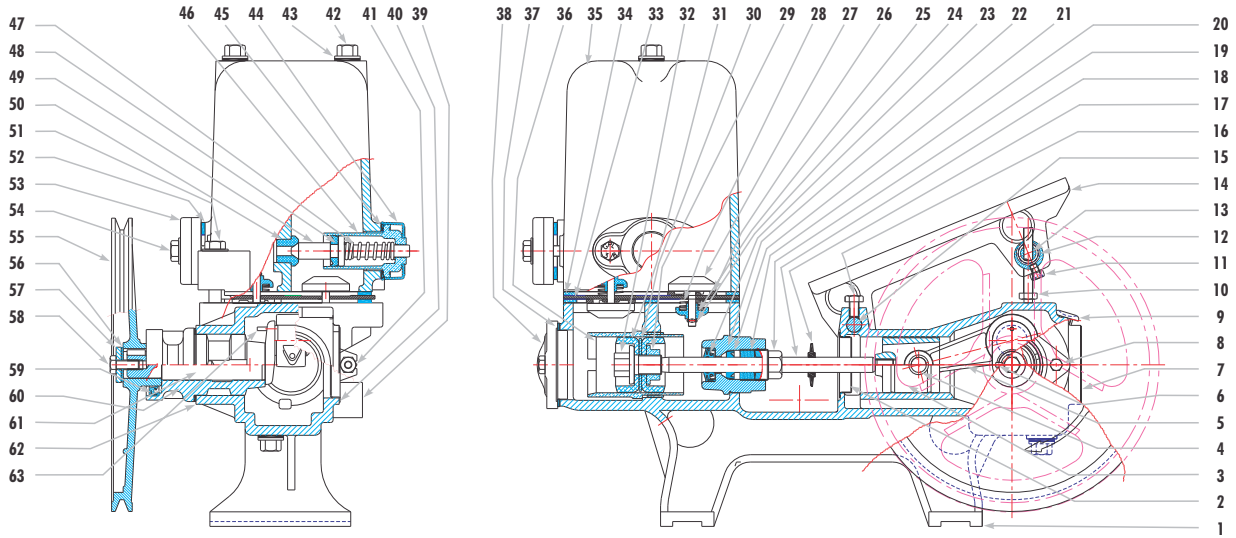


## Performance Chart

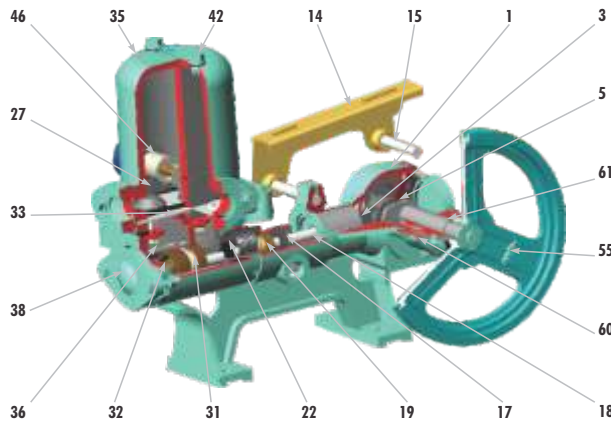
Item #	Model	Size	Motor		Q = Capacity (US gpm - l/min)														
					H = Total Head (ft) @ 1450 rpm														
					7	7	8	8	9	10	10	11	11	12	12	13	13	14	14
			HP	kW	26	28	30	32	34	36	38	40	42	44	46	48	50	52	54
1	GPP1	1" x 1"	0.5 / 1	0.37 / 0.75				115	105	75	5								
2	GPP2	1.25" x 1.25"	2	1.5											220	180	120	60	5
3	GPP2 - HH	1.25" x 1.25"	3	2.2	575	525	460	365	280	175	85	5							

**NOTE:** These pumps can suck the water 25 ft. (max.) from their installed level.

## Component Detail - GPP1

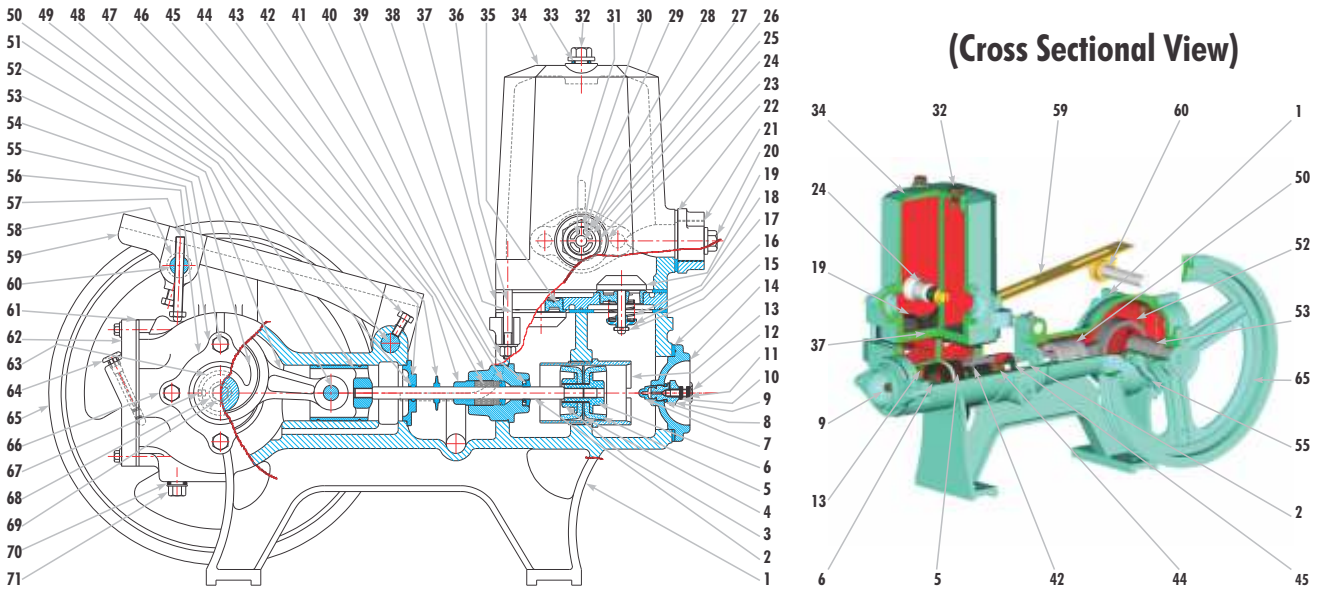


(Cross Sectional View)



No.	Description	Material	No.	Description	Material	No.	Description	Material
1	Main Body	Cast Iron	22	Stuffing Box	Cast Iron	43	Gasket	Rubber
2	Cross Head Closer	Mild Steel	23	Seal (Outer)	Rubber	44	Safety Valve Cover	Plastic
3	Cross Head Linear	Cast Iron	24	Lock Pin	Copper	45	Gasket	Rubber
4	Cross Head Pin	Mild Steel	25	Spring Cover	Plastic	46	Safety Valve Body	Plastic
5	Connecting Rod	Cast Iron	26	Valve Bush	S.S.	47	Safety Valve Spring	Spring S. W.
6	Key	Mild Steel	27	Valve Disk	Rubber	48	Seal (Safety Valve)	Rubber
7	Back End Cover	Mild Steel	28	Spring	Copper	49	Safety Valve Pin	Mild Steel
8	Hex. Bolt (Ø 5/16" x 1-3/8")	Mild Steel	29	Base Nut	Mild Steel	50	Bush	Plastic
9	Oil Gauge	Plastic	30	Spacer	Mild Steel	51	Hex. Bolt (Ø 3/8" x 2-1/2")	Mild Steel
10	Retaining Bolt (Ø 1/4" x 2")	Mild Steel	31	Piston (Double Action)	Leather	52	Gasket	Rubber
11	Hex. Bolt (Ø 1/4" x 3/8")	Mild Steel	32	Gripping Nut	Brass	53	Flange	Cast Iron
12	Insulation Bush	Plastic	33	Valve Plate	S.S.	54	Hex. Bolt (Ø 3/8" x 1-1/2")	Mild Steel
13	Front Rod (Rocker Rail)	Mild Steel	34	Gasket	Rubber	55	V-Belt Pulley	Cast Iron
14	Rocker Rail (L. H. & R. H.)	Mild Steel	35	Head	Cast Iron	56	Gasket	Rubber
15	Rear Rod (Rocker Rail)	Mild Steel	36	Cylinder	S.S.	57	Plain Washer	Mild Steel
16	Hex. Bolt (Ø 5/16" x 5/8")	Mild Steel	37	Gasket	Rubber	58	Hex. Bolt (Ø 5/16" x 3/4")	Mild Steel
17	Splash Shield	Rubber	38	Cylinder Cover	Cast Iron	59	Oil Seal	Rubber
18	Piston Rod	S. Steel	39	Drain Pipe (Ø 1/2" x 1-3/4")	Mild Steel	60	Bracket	Cast Iron
19	Gland Nut	Brass	40	Back End Cover	Mild Steel	61	Crank Shaft	S. G. Iron
20	Cotton Gland (Ø 3/16" x 16")	Cotton Rope	41	Hex. Nut, Bolt & Washer	Mild Steel	62	Gasket	Rubber
21	Seal (Inner)	Rubber	42	Prime Plug Hex. (Ø 1/2" x 5/8")	Mild Steel	63	Pin (Ø 1/8" x 1/2")	Mild Steel

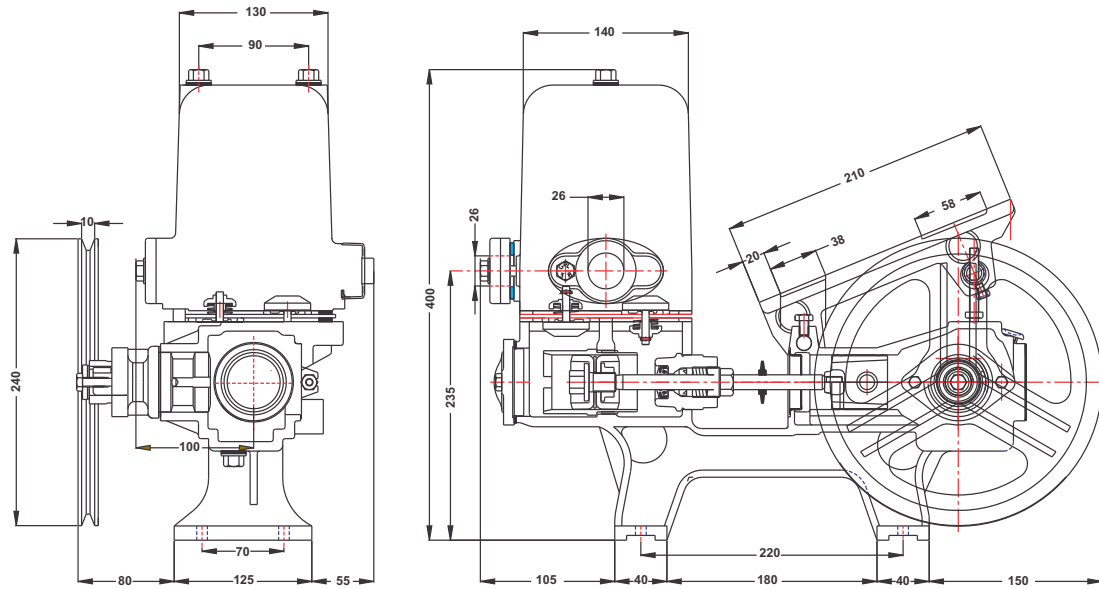
## Component Detail - GPP2 / GPP2-HH



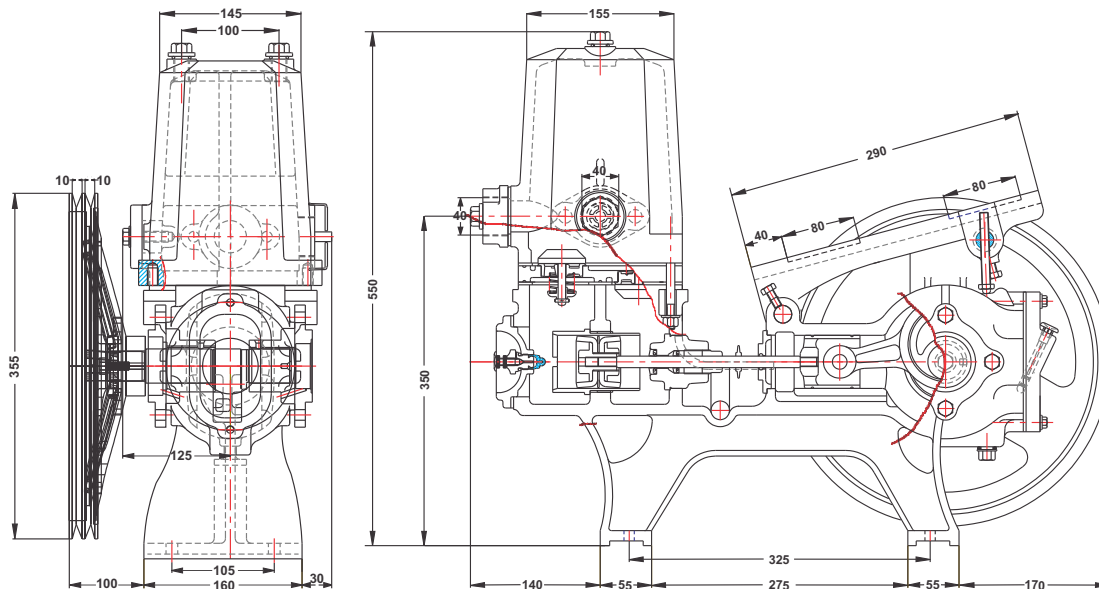
No.	Description	Material	No.	Description	Material	No.	Description	Material
1	Main Body	Cast Iron	25	Spring (Safety Valve)	Spring Wire	49	'O' Ring Seal	Rubber
2	Piston Rod	S. Steel	26	Pin (Safety Valve)	Mild Steel	50	Cross Head Liner	Cast Iron
3	Base Nut	Brass	27	Gasket (Safety Valve)	Rubber	51	Cross Head Pin	Mild Steel
4	Spacer	Mild Steel	28	Nut (Safety Valve)	Plastic	52	Connecting Rod	Cast Iron
5	Piston (Double Action)	Leather	29	Seal (Safety Valve)	Rubber	53	Crank Shaft	S. G. Iron
6	Gripping Nut	Brass	30	Pulling Ring (Safety Valve)	Spring Wire	54	Hex. Bolt ( $\phi$ 3/8" x 1"	Mild Steel
7	Non-Return Air Valve	Rubber	31	Inner Bush	Plastic	55	Bracket (Rear Side)	Cast Iron
8	'O' Ring Seal	Rubber	32	Prime Plug Hex. ( $\phi$ 5/8"	Brass	56	Bracket (Wheel Side)	Cast Iron
9	Sniffing Valve	Brass	33	'O' Ring Seal	Rubber	57	Retaining Bolt ( $\phi$ 3/8" x 3"	Mild Steel
10	Lock Nut	Brass	34	Head	Cast Iron	58	Insulation Bush	Plastic
11	Screw	Brass	35	Valve Bush	Mild Steel	59	Rocker Rail	Cast Iron
12	Hex. Bolt, NUT & Washer ( $\phi$ 3/8" x 2"	Mild Steel	36	Stud	Mild Steel	60	Rear Rod (Rocker Rail)	Mild Steel
13	Cylinder	Brass	37	Valve Plate	Mild Steel	61	Gasket	Rubber
14	Cylinder Cover	Cast Iron	38	Gasket	Rubber	62	Back End Cover	Cast Iron
15	Gasket	Rubber	39	Hex. Nut & Plain Washer ( $\phi$ 7/16"	Mild Steel	63	Oil Seal (For Wheel Side Bracket)	Rubber / Metal
16	Lock Pin	Copper	40	Seal (Outer)	Rubber	64	Oil Gauge	Plastic
17	Spring Cover	Plastic	41	Seal (Inner)	Rubber	65	V-Belt Pulley	Cast Iron
18	Spring	Spring Wire	42	Stuffing Box	Cast Iron	66	Gasket	Rubber
19	Valve Disk	Rubber & M. S.	43	Cotton Gland	Cotton Rope	67	Key	Mild Steel
20	Hex. Bolt & Washer ( $\phi$ 7/16" x 2"	Mild Steel	44	Gland Nut	Brass	68	Plain Washer	Mild Steel
21	Flange	Cast Iron	45	Drip Shield	Rubber	69	Cover For Rear Bracket	Mild Steel
22	Gasket	Rubber	46	Cross Head Closer	Cast Iron	70	Gasket	Rubber
23	Safety Valve Cover	Plastic	47	Hex. Bolt ( $\phi$ 5/16" x 3/4"	Mild Steel	71	Hex. Oil Plug ( $\phi$ 1/4"	Mild Steel
24	Safety Valve Body	Plastic	48	Front Rod (Rocker Rail)	Mild Steel			

## Dimension Detail

### GPP1



### GPP2 / GPP2-HH



No.	Model	Belt Size	No. of Belts	Inlet	Outlet
1	GPP1	36 - A	1	1"	1"
2	GPP2	48 / 49 - A	2	1.25"	1.25"
3	GPP2-HH	48 / 49 - A	2	1.25"	1.25"



## Subsidiary Companies

### **ELECTROTEC INDUSTRIES:**

Building upon its past successes and its progressive approach, the Company has ventured into the manufacturing of 'Enameled Copper Wire' in 1998 with the establishment of "ELECTROTEC INDUSTRIES".

Due to premium quality and a strong backing by a team of qualified experts, Voltiger brand has become extremely popular among the big and small, public and private sector units generating a long list of satisfied customers to its credit in a short span of period. Rigorous quality control from raw material to finished product ensures much higher ratings than the prescribed norms of PAKISTAN and B.S.S. specifications with the result that today 'Voltiger' brand enameled copper wire stands distinct in the market for its reliability, performance and above all safe-guarding the interest of the customers due to its close interaction.

At "ELECTROTEC INDUSTRIES" the emphasis is on quality control. An enameled wire consists of two major components i.e. 'Copper Conductor' and 'Enamel / Insulating Film'.

1. Copper Conductor: "ELECTROTEC INDUSTRIES" is very meticulous about the purity of copper conductor, only 99.9% pure 'Electrolytic' grade 'A' continuous Cast Copper Rods (conforming to ASTM/B-49/78 manufactured by 'Pakistan Cables Ltd.' and 'Bawany Metals Ltd.') is used to ensure the softness and flexibility with least resistance in wire.
2. Enamel / Insulating Film: 'Enameled Copper Wire' is manufactured with super grade enamel which imparts dielectric strength and insulates against moisture and corrosion. The company has a very stringent Q.C. process with a wide range of different specifications to be met with all the standards and the final product is released only when it passes through the specified results of S.S. and ICS standards stretching in fact with higher values of standards.

Product Range: Company's range of production is from 10 SWG (3.25 mm) to 35 SWG (0.213 mm) in fine (Grade-I), Medium (Grade-II), Thick (Grade-III) and Extra Thick covering.

### **GOLDEN POLYTECH (PVT) LTD.**

Capitalizing on its past successes and its progressive approach, GOLDEN PUMPS (PVT) LTD. has ventured into the 'uPVC Pipes (un-plasticized Polyvinyl Chloride)' with the brand name of 'Goldamatic uPVC Pipes'. Due to the best available manufacturing facilities and use of the top quality virgin raw material, company is able to provide the following distinctive advantages:

- Total resistance to corrosion, abrasion, growth of bacteria and fungus
- Light weight, durable and economical



- Simple to join and quick to install
- Flexible and resistance to breakage
- Easy to transport
- Non-toxic and non-conductive
- Smooth bore provides low frictional losses and high flow capabilities
- Non-flammable

These pipes are widely used for transferring of cold water supply & waste water in different applications i.e., construction, housing societies, water supply schemes, green-house irrigation, deep-well turbines, tube wells, deep-well ejector pumps and cable ducting etc.

Product Range: Company's range of production is from 1" to 14" in Sewage Pipes, Pressure Pipes and Non-Pressure Pipes in Class A, B, C, D & E and Conduit Pipes.

**Note:**

*As we are constantly endeavoring to improve the performance of our products we reserve the right to make alteration in our products from time to time, and actual product may differ from that detail mentioned in this brochure.*

## GOLDEN Group of Companies

**GOLDEN PUMPS (PVT) LTD.**  
G. T. Road, Gujranwala, Pakistan  
Tel: +92 55 3842756, 3843756, 4275656  
Fax: +92 55 3253254  
E-mail: [info@goldenpumps.com](mailto:info@goldenpumps.com)  
Website: [www.goldenpumps.com](http://www.goldenpumps.com)

**ELECTROTEC INDUSTRIES**  
Climaxabad, G. T. Road, Gujranwala, Pakistan  
Tel: +92 55 3730789, 3857621, 3857622  
Fax: +92 55 3253254  
E-mail: [info@goldenpumps.com](mailto:info@goldenpumps.com)  
Website: [www.goldenpumps.com](http://www.goldenpumps.com)



**GOLDEN POLYTECH (PVT) LTD.**  
G. T. Road, Gujranwala, Pakistan  
Tel: +92 55 4275655, 4000993  
Fax: +92 55 4272455  
E-mail: [upvc@goldenpumps.com](mailto:upvc@goldenpumps.com)  
Website: [www.goldenpumps.com](http://www.goldenpumps.com)